

705000



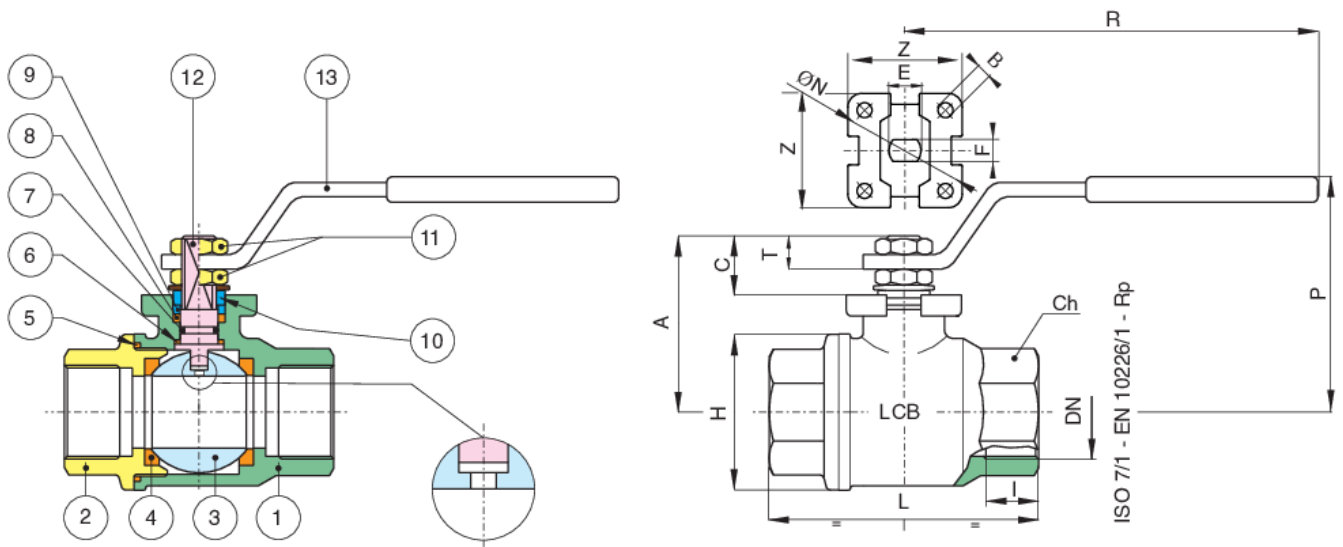
C-Stahlkugelhahn aus A352-LCB brüniert, Kugel und Spindel aus AISI 304, Innengewinde, mit auf bauplatte nach ISO 5211 mit vollem Durchgang.

V-Ball option



Low temperature design
-40°C ON DEMAND

Technische Spezifikationen



Temperature range: -20° +160°

Vacuum: 10⁻² torr.

POSITION	TEILNAME	MATERIAL	NR. STÜCK
1	GEHÄUSE	A351-LCB	1
2	MUFFE	A351-LCB	1
3	KUGEL	A479-TP304/A351-CF8	1
4	KUGELDICHUNG	PTFE	2
5	DICHTUNG	PTFE	1
6	SPINDELSCHEIBE	PTFE	1
7	O-RING	FKM	1
8	SPINDELDICHUNG	PTFE	1
9	VORSPANNRING	CARBON STEEL	1
10	ANSCHLAGSCHEIBE	INOX AISI 430	2
11	MUTTER	CARBON STEEL	2
12	SPINDEL	A479-TP304/17-4-PH	1
13	HANDHEBEL	CARBON STEEL	1

GRÖSSE	DN	CODE	BOX	I	L	H	CH	R	P	A	C	T	E	F	ØN	B	Z	KV	PN	KG
1/4"	8	70500002	10	11	55	30	ES.22	110	50	35	13,5	8	8	5	36	5,5	36	5,5	64	0,27
3/8"	10	70500003	10	11,4	55	30	ES.22	110	50	35	13,5	8	8	5	36	5,5	36	8,5	64	0,26
1/2"	15	70500004	10	15	66	36	ES.27	110	53	38	13,5	8	8	5	36	5,5	36	19,2	64	0,35
3/4"	20	70500005	5	16,3	79	45	ES.32	131	68	51	15	10	10	7	42	5,5	42	35	64	0,65
1"	25	70500006	6	19,1	93	54	OT.41	174	79	60	19,5	12,5	12	8	42	5,5	42	64,5	64	1,02
1"1/4	32	70500007	2	21,4	98	64	OT.50	174	83	64	19,5	12,5	12	8	42	5,5	42	103,8	64	1,40
1"1/2	40	70500008	2	21,4	110	80	OT.55	250	100	79	24	16,5	16	10	50	6,5	50	174	64	2,35
2"	50	70500010	2	25,7	130	95	OT.70	250	107	86	24	16,5	16	10	50	6,5	50	301,3	64	3,54

Zertifizierungen

SIL 3
SIL 3



ATEX FIRE-SAFE (Auf
Anfrage)

Ersatzteile

● HEBEL

Code	Material	Größe
RI2143	A 37	1/4"
RI2143	A 37	3/8"
RI2143	A 37	1/2"
RI2018	A 37	3/4"
RI2019	A 37	1"
RI2019	A 37	1"1/4
RI2020	A 37	1"1/2
RI2020	A 37	2"

● DICHTUNGEN

Code	Material	Größe
RI2054	PTFE VETRO - GLASS FILLED PTFE	1/8"
RI2054	PTFE VETRO - GLASS FILLED PTFE	1/4"
RI2054	PTFE VETRO - GLASS FILLED PTFE	3/8"
RI2055	PTFE VETRO - GLASS FILLED PTFE	1/2"
RI2056	PTFE VETRO - GLASS FILLED PTFE	3/4"
RI2057	PTFE VETRO - GLASS FILLED PTFE	1"
RI2058	PTFE VETRO - GLASS FILLED PTFE	1"1/4
RI2059	PTFE VETRO - GLASS FILLED PTFE	1"1/2
RI2060	PTFE VETRO - GLASS FILLED PTFE	2"
RI2175	PTFE VETRO - GLASS FILLED PTFE	2"1/2
RI2177	PTFE VETRO - GLASS FILLED PTFE	3"
RI2034	PTFE VETRO - GLASS FILLED PTFE	4"
RI2148	PTFE CARBOGRAFITE - CARBON FILLED PTFE	1/8"
RI2148	PTFE CARBOGRAFITE - CARBON FILLED PTFE	1/4"
RI2148	PTFE CARBOGRAFITE - CARBON FILLED PTFE	3/8"
RI2149	PTFE CARBOGRAFITE - CARBON FILLED PTFE	1/2"
RI2150	PTFE CARBOGRAFITE - CARBON FILLED PTFE	3/4"
RI2151	PTFE CARBOGRAFITE - CARBON FILLED PTFE	1"
RI2152	PTFE CARBOGRAFITE - CARBON FILLED PTFE	1"1/4
RI2153	PTFE CARBOGRAFITE - CARBON FILLED PTFE	1"1/2
RI2154	PTFE CARBOGRAFITE - CARBON FILLED PTFE	2"
RI2155	PTFE CARBOGRAFITE - CARBON FILLED PTFE	2"1/2
RI2156	PTFE CARBOGRAFITE - CARBON FILLED PTFE	3"
RI2157	PTFE CARBOGRAFITE - CARBON FILLED PTFE	4"
RI2133	PTFE	1/4"
RI2133	PTFE	3/8"
RI2133	PTFE	1/2"
RI2134	PTFE	3/4"
RI2135	PTFE	1"
RI2136	PTFE	1"1/4
RI2137	PTFE	1"1/2
RI2138	PTFE	2"
RI421	PTFE	1/4"
RI421	PTFE	3/8"
RI422	PTFE	1/2"
RI423	PTFE	3/4"
RI424	PTFE	1"
RI2158	PTFE CARBOGRAFITE - CARBON FILLED PTFE	1/4"
RI2158	PTFE CARBOGRAFITE - CARBON FILLED PTFE	3/8"
RI2158	PTFE CARBOGRAFITE - CARBON FILLED PTFE	1/2"
RI2159	PTFE CARBOGRAFITE - CARBON FILLED PTFE	3/4"
RI2160	PTFE CARBOGRAFITE - CARBON FILLED PTFE	1"
RI2161	PTFE CARBOGRAFITE - CARBON FILLED PTFE	1"1/4
RI2162	PTFE CARBOGRAFITE - CARBON FILLED PTFE	1"1/2
RI2163	PTFE CARBOGRAFITE - CARBON FILLED PTFE	2"
RI2148	PTFE CARBOGRAFITE - CARBON FILLED PTFE	1/4"
RI2148	PTFE CARBOGRAFITE - CARBON FILLED PTFE	3/8"
RI2149	PTFE CARBOGRAFITE - CARBON FILLED PTFE	1/2"
RI2150	PTFE CARBOGRAFITE - CARBON FILLED PTFE	3/4"
RI2151	PTFE CARBOGRAFITE - CARBON FILLED PTFE	1"
RI2161	PTFE CARBOGRAFITE - CARBON FILLED PTFE	1"1/4
RI2162	PTFE CARBOGRAFITE - CARBON FILLED PTFE	1"1/2
RI2154	PTFE CARBOGRAFITE - CARBON FILLED PTFE	2"

● **KUGEL**

Code	Material	Größe
00304000080	AISI 304	1/8"
00304000080	AISI 304	1/4"
00304000080	AISI 304	3/8"
00305000035	AISI 316, AISI 304	3/4"
00306000084	AISI 304	1"
00307000054	AISI 304	1"1/4
00308000029	AISI 304	1"1/2
00310000028	AISI 304	2"
00301000002	AISI 316	1/4"
00301000002	AISI 316	3/8"
00304000046	AISI 304	1/2"
00305000075	AISI 304	3/4"
00306000038	AISI 304	1"
00307000054	AISI 304	1"1/4
00308000029	AISI 304	1"1/2
00310000098	AISI 304	2"

● **SPINDEL ANTISTATISCHE AUSFÜHRUNG**

Code	Material	Größe
00401000003	AISI 316	1/4"
00401000003	AISI 316	1/8"
00401000003	AISI 316	1/2"
00401000003	AISI 316	3/8"
00405000029	AISI 316	3/4"
00406000011	AISI 316	1"
00406000011	AISI 316	1"1/4
00408000010	AISI 316	1"1/2
00408000010	AISI 316	2"
00412000021	AISI 316	2"1/2
00412000021	AISI 316	3"
00418000006	AISI 316	4"

● **SPINDEL**

Code	Material	Größe
00401000003	AISI 316	1/4"
00401000003	AISI 316	3/8"
00401000003	AISI 316	1/2"
00405000061	AISI 304	3/4"
00406000046	AISI 304	1"
00406000046	AISI 304	1"1/4
00408000051	AISI 304	1"1/2
00408000051	AISI 304	2"
00401000003	AISI 316	1/4"
00401000003	AISI 316	3/8"
00401000003	AISI 316	1/2"
00405000061	AISI 304	3/4"
00406000046	AISI 304	1"
00406000046	AISI 304	1"1/4
00408000051	AISI 304	1"1/2
00408000051	AISI 304	2"