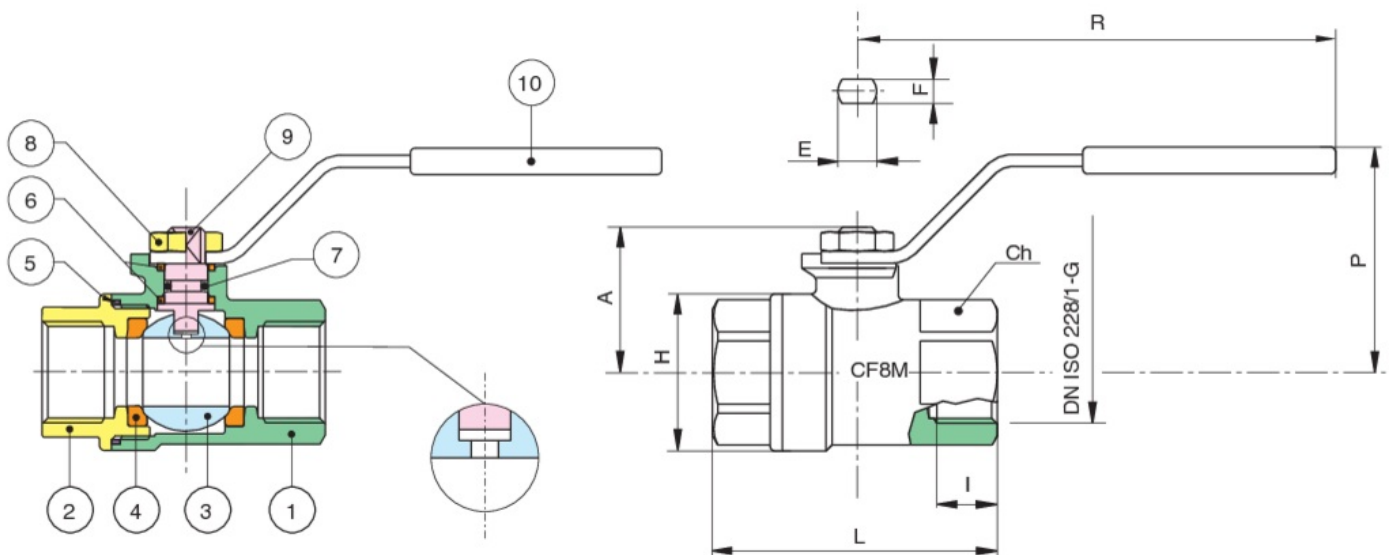


704000

Edelstahlkugelhahn aus AISI 316-CF8M, Innengewinde, mit vollem Durchgang.

## Technische Spezifikationen



Temperature range:  $-20^{\circ}$   $+160^{\circ}$

Vacuum:  $10^{-2}$  torr.

POSITION	TEILNAME	MATERIAL	NR. STÜCK
1	GEHÄUSE	A351-CF8M	1
2	MUFFE	A351-CF8M	1
3	KUGEL	A479-TP316/A351-CF8M	1
4	KUGELDICHTUNG	PTFE	2
5	DICHTUNG	PTFE	1
6	SPINDELSCHEIBE	PTFE	2
7	O-RING	FKM	1
8	MUTTER	A182-F304	1
9	SPINDEL	A479-TP316/17-4-PH	1
10	HANDHEBEL	INOX AISI 430	1

GRÖSSE	DN	CODE	BOX	A	H	L	R	CH	I	E	F	P	KV	PN	KG
1/4"	8	70400002	15	28	30	53,5	110	ES.22	10	8	5	44	5,5	64	0,22
3/8"	10	70400003	15	28	30	53,5	110	ES.22	10	8	5	44	8,5	64	0,20
1/2"	15	70400004	10	30,5	35	60	110	ES.27	13	8	5	47	19,2	64	0,25
3/4"	20	70400005	15	37	42,5	70	131	ES.32	14	10	7	54	35	40	0,45
1"	25	70400006	5	41	52	79	131	OT.41	17	10	7	58	64,5	40	0,85
1"1/4	32	70400007	2	50	62	91	174	OT.50	19	12	8	70	103,8	25	1,20
1"1/2	40	70400008	2	57	75	103	174	OT.55	19,5	12	8	76	174	25	1,80
2"	50	70400010	2	66	95	124	174	OT.70	22,5	12	8	86	301,3	25	2,70

## Ersatzteile

### ● HEBEL

Code	Material	Größe
RI2012	AISI 430	1/8"
RI2012	AISI 430	1/4"
RI2012	AISI 430	3/8"
RI2012	AISI 430	1/2"
RI2013	AISI 430	3/4"
RI2013	AISI 430	1"
RI2447	AISI 430	1"1/4
RI2447	AISI 430	1"1/2
RI2447	AISI 430	2"

### ● DICHTUNGEN

Code	Material	Größe
RI2054	PTFE VETRO - GLASS FILLED PTFE	1/8"
RI2054	PTFE VETRO - GLASS FILLED PTFE	1/4"
RI2054	PTFE VETRO - GLASS FILLED PTFE	3/8"
RI2055	PTFE VETRO - GLASS FILLED PTFE	1/2"
RI2056	PTFE VETRO - GLASS FILLED PTFE	3/4"
RI2057	PTFE VETRO - GLASS FILLED PTFE	1"
RI2058	PTFE VETRO - GLASS FILLED PTFE	1"1/4
RI2059	PTFE VETRO - GLASS FILLED PTFE	1"1/2
RI2060	PTFE VETRO - GLASS FILLED PTFE	2"
RI2175	PTFE VETRO - GLASS FILLED PTFE	2"1/2
RI2177	PTFE VETRO - GLASS FILLED PTFE	3"
RI2034	PTFE VETRO - GLASS FILLED PTFE	4"
RI2148	PTFE CARBOGRAFITE - CARBON FILLED PTFE	1/8"
RI2148	PTFE CARBOGRAFITE - CARBON FILLED PTFE	1/4"
RI2148	PTFE CARBOGRAFITE - CARBON FILLED PTFE	3/8"
RI2149	PTFE CARBOGRAFITE - CARBON FILLED PTFE	1/2"
RI2150	PTFE CARBOGRAFITE - CARBON FILLED PTFE	3/4"
RI2151	PTFE CARBOGRAFITE - CARBON FILLED PTFE	1"
RI2152	PTFE CARBOGRAFITE - CARBON FILLED PTFE	1"1/4
RI2153	PTFE CARBOGRAFITE - CARBON FILLED PTFE	1"1/2
RI2154	PTFE CARBOGRAFITE - CARBON FILLED PTFE	2"
RI2155	PTFE CARBOGRAFITE - CARBON FILLED PTFE	2"1/2
RI2156	PTFE CARBOGRAFITE - CARBON FILLED PTFE	3"
RI2157	PTFE CARBOGRAFITE - CARBON FILLED PTFE	4"
RI2178	PTFE	1/4"
RI2178	PTFE	3/8"
RI2112	PTFE	1/2"
RI2113	PTFE	3/4"
RI2114	PTFE	1"
RI2115	PTFE	1"1/4
RI2116	PTFE	1"1/2
RI2117	PTFE	2"

● **KUGEL**

Code	Material	Größe
00301000002	AISI 316	1/4"
00301000002	AISI 316	3/8"
00304000078	AISI 316	1/2"
00305000035	AISI 316, AISI 304	3/4"
00306000082	AISI 316	1"
00307000031	AISI 316	1"1/4
00308000026	AISI 316	1"1/2
00310000080	AISI 316	2"

● **SPINDEL ANTISTATISCHE AUSFÜHRUNG**

Code	Material	Größe
00401000003	AISI 316	1/4"
00401000003	AISI 316	1/8"
00401000003	AISI 316	1/2"
00401000003	AISI 316	3/8"
00405000029	AISI 316	3/4"
00406000011	AISI 316	1"
00406000011	AISI 316	1"1/4
00408000010	AISI 316	1"1/2
00408000010	AISI 316	2"
00412000021	AISI 316	2"1/2
00412000021	AISI 316	3"
00418000006	AISI 316	4"

● **SPINDEL**

Code	Material	Größe
00404007001	AISI 316	1/4"
00404007001	AISI 316	3/8"
00404007001	AISI 316	1/2"
00405007004	AISI 316	3/4"
00406007004	AISI 316	1"
00407007001	AISI 316	1"1/4
00408007007	AISI 316	1"1/2
00408007007	AISI 316	2"